

NMC-RJ88SI2-AG-MT

NIKOMAX Field Termination Plug RJ45/8P8C, Cat.8 (Class I), 2000MHz, 50μ Plating, Toolless, T568A/B, Angled, Fully Shielded, Metallic

NIKOMAX Self-clamping Field Toolless Plugs are designed specifically for use with high-speed cables and provide first-class transmission characteristics. Connectors can be used to stack server hardware, workstations, connect various specialized industrial equipment and CCTV cameras.

NMC-RJ88SI2-AG-MT connectors comply with category 8 and are shielded and has a angled design on 90 degrees and cab be rotated on 8 direction, connectors are made in cast, fully shielded zinc-aluminum alloy housings. Connectors design makes it easy to plug the cables without any specialized tools. Only diagonal cutters are needed to gently bite off excess wires.

Supplied individually, in an individual box.



Base equipment:

Connector

1 pcs.

The manufacturer reserves the right to change the appearance and characteristics of the product, without reducing its consumer properties

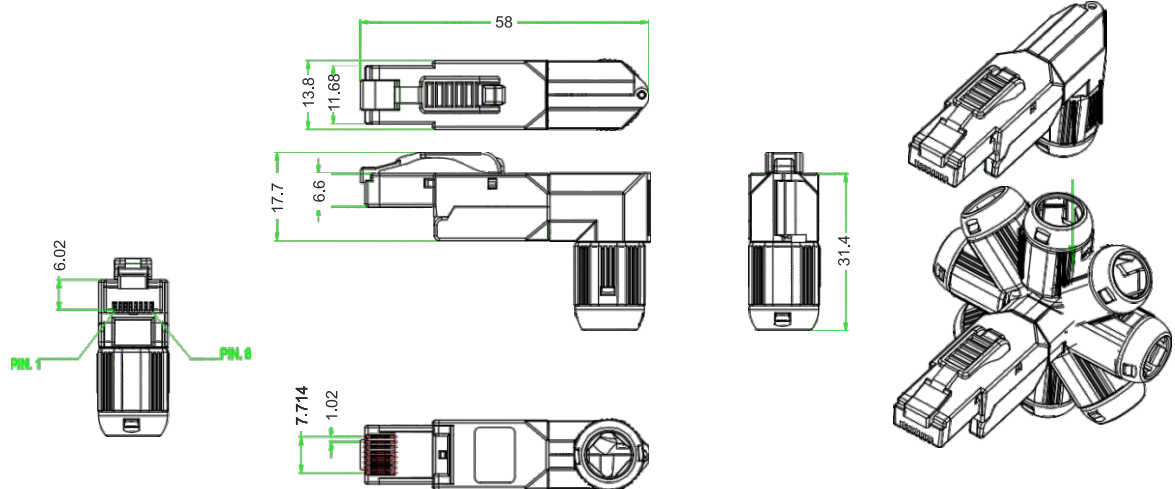
Specification

Part Number	NMC-RJ88S12-AG-MT
Type of Connector	RJ45/8P8C
Category	8
Bandwidth, Mhz	1600-2000
Connection style	Fully Shielded
Material of contacts	Phosphor bronze
Contact coating material	Gold (50 μinch)
Number of cable connections	1000 cycles minimum
Type of IDC contacts (seal)	Toolless
Layout diagram	T568A/B
Permissible diameter of conductors	~ 24 - 22 AWG (0.500 - 0.64 mm)
IDC contact material	Phosphor bronze
IDC coating material	Tin (100 μinch)
Housing material	Zinc-aluminum alloy
Color	Metallic
Insulation resistance	min. 500 MΩ (with 100 V DC)
Compliance	Exceeds the requirements of the standards: ISO/IEC 11801, EN 50173 & TIA/EIA-568-C.2
Supported applications	10BASE-T, 100BASE-TX, 100BASE-T4, 1000BASE-T, 10G-BASE-T, ATM-25, ATM-51, ATM-155, 100VG-AnyLan, TR-4, TR-16 Active, TR-16 Passive
Temperature ranges	Storage from -20 to +60 °C. Installation from 0 to +50 °C. Operation from -20 to +60 °C
Warranty	5 years
Packaging	Individual - Carton box

Ordering table

Part Number	Cat.	Type	Individual Package		Group Package			Transport Package		
			Size, mm	Weight, kg	Quantity	Size, mm	Weight, kg	Quantity	Size, mm	Weight, kg
NMC-RJ88S12-AG-MT	8	Shielded	125x44x25	0.042	-	-	-	250	545x305x285	11.500

Dimensional drawings



8x 45°
There is 8 direction can be rotated.